

Crystal Clear Heavy Duty - Technical details:



External Dimensions (L x W x H)

60 x 40 x 28.5 cm
23.6 x 15.7 x 11.2 inch

Internal Dimensions (L x W x H)

53 x 39 x 24 cm
22.8 x 15.1 x 9.5 inch

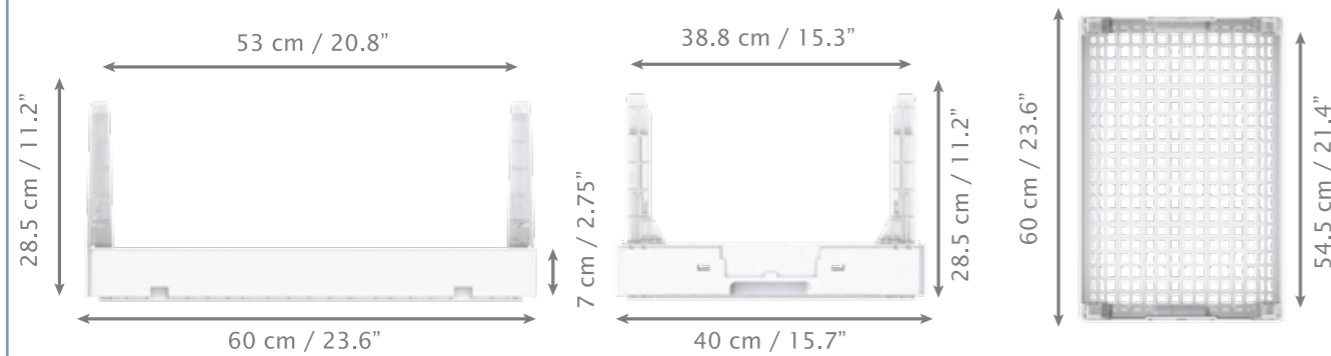
Folded Height: 7 cm / 2.75"

Weight: 2.4kg / 5.3lbs

Load Capacity: 36kg / 80lbs

Stacking Capacity: 210kg / 460lbs

Temp range: -4 to +120 °F / -20 to +50 °C



The Crystal Clear Series

The new premium Crystal Clear series

A new level of appearance !

Polymer Logistics is a leading provider of 'One-Touch/Retail Ready Packaging (RRP)' solutions. Since 1994, the company has been helping retailers worldwide simplify supply chain management by offering them precisely what they need in terms of logistics services and display products, from the factory to the display floor.

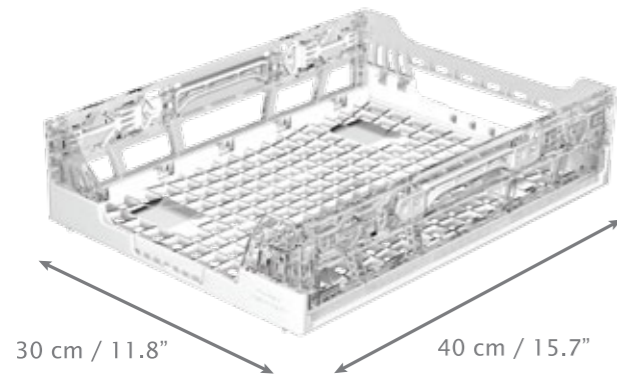
We specialize in developing custom made products for companies. Using both our innovative approach and our understanding of our customers' businesses and needs, Polymer Logistics aims to develop solutions which provide the most optimal combination of products and services. We always "Strive for More" Whether it is through further optimization of our acclaimed Pool Management services or by providing yet another novel product.

- Highlights the product, not the package
- Cleaner, purer look - increases sales
- Huge cost reductions in store - minimizes replenishment time
- Higher availability - increases sales
- Robust construction - reduces product damage
- Environmentally friendly, fully recyclable
- Foldable and stackable - maximizes truck and store space
- Sustainable packaging - replaces traditional disposable packaging
- Offers great cost savings when compared with disposable materials
- Ideal for picking orders at your depot and for direct delivery to the store
- Easy to clean polymer - resists moisture, insects and fungi; Impervious to acids, fats, solvents and odors

Retail Ready Packaging

The **ultimate** in cost savings

Crystal Clear 409AL - Technical details:



External Dimensions (L x W x H)

40 x 30 x 9.6 cm
15.7 x 11.8 x 3.8 inch

Internal Dimensions (L x W x H)

38.3-39.5 x 27-27.4 x 8.7 cm
15 x 10.8 x 3.4 inch

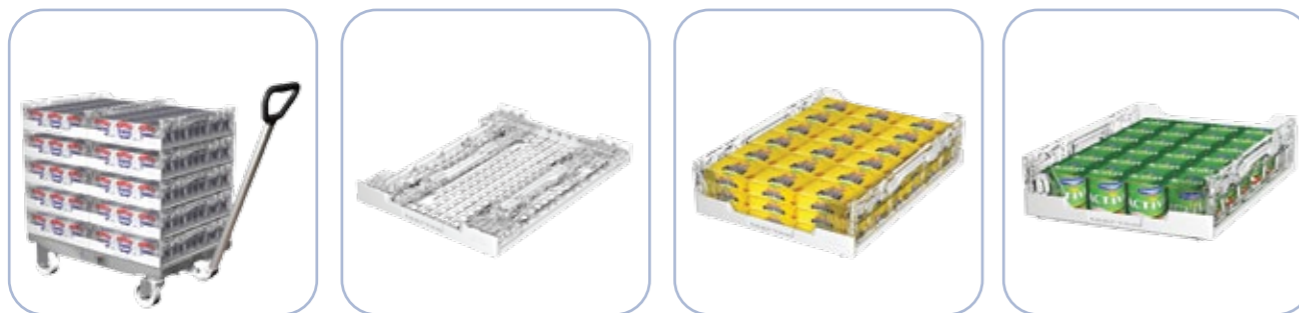
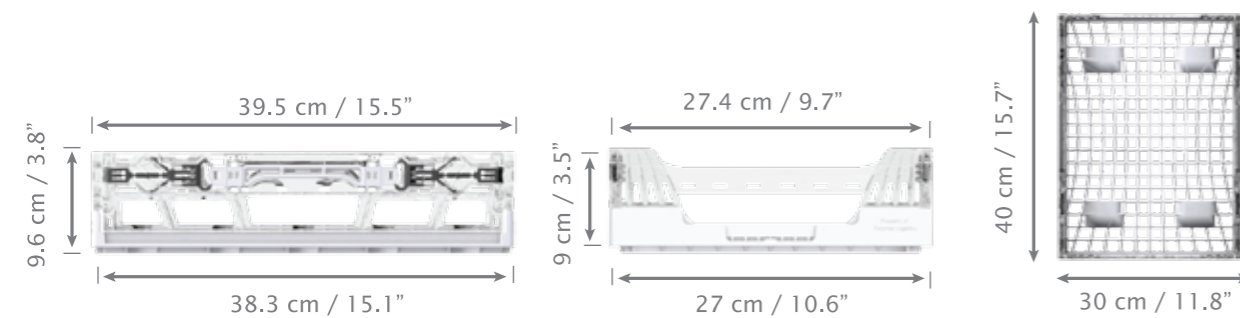
Folded Height: 3.5 cm / 1.4"

Weight: 0.75kg / 1.6lbs

Load Capacity: 7kg / 15.4lbs

Stacking Capacity: 154kg / 340lbs

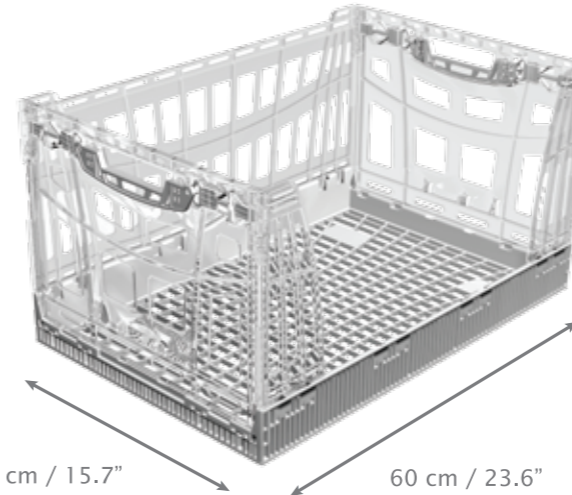
Temp range: -4 to +120 °F / -20 to +50 °C



Retail Ready Packaging

The **ultimate** in cost savings

Crystal Clear 632AL - Technical details:



External Dimensions (L x W x H)

60 x 40 x 32.9 cm
23.6 x 15.7 x 12.9 inch

Internal Dimensions (L x W x H)

58 x 38.5 x 32 cm
22.8 x 15.1 x 12.6 inch

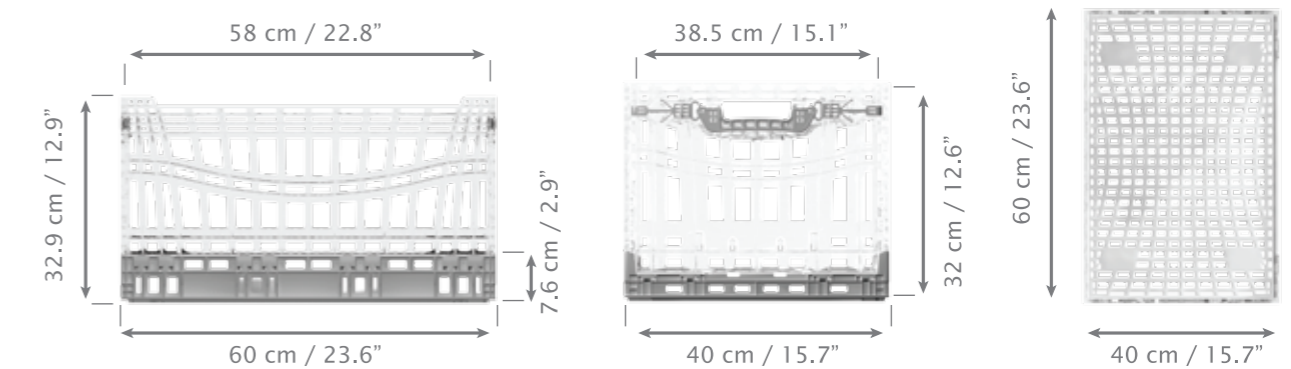
Folded Height: 7.6 cm / 2.9"

Weight: 2.2kg / 4.85lbs

Load Capacity: 10kg / 22lbs

Stacking Capacity: 70kg / 154lbs

Temp range: -4 to +120 °F / -20 to +50 °C



Retail Ready Packaging

The **ultimate** in cost savings