



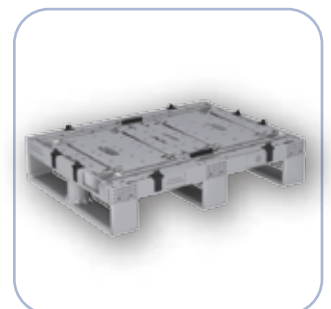
**Polymer
Logistics**



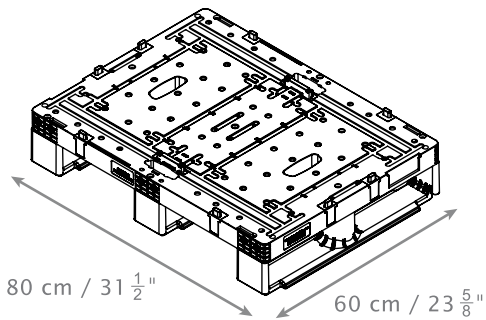
Dispall

**Minimizes replenishment cost,
Maximizes in-store availability**

- A revolutionary 'one-touch' Pallet that functions as BOTH transport storage and as an attractive in-store display!
- Uniquely designed to replace traditional shelving, eliminating both the time & cost of merchandizing shelves.
- Easy and secured nesting to maximize truck and storage space.
- Can be used on conveyor belt.
- Pop up/ Rims system - to secure your trays and crates - upon demand.
- Flat surface for flat goods
- Easily stacks crates, beverages, trays & cartons
- Easy-to-clean polymer resists moisture, insects and fungi; Impervious to acids, fats, solvents and odour.



Technical details:



Dimensions (LxWxH) -

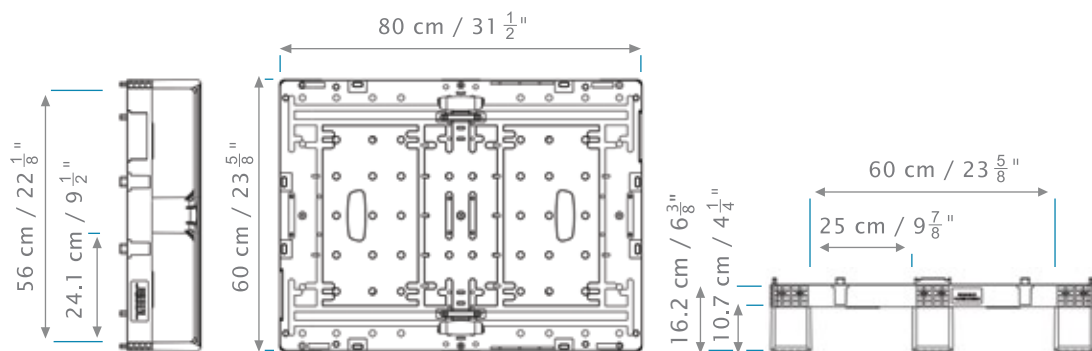
31 1/2" x 23 5/8" x 6 3/8" / 80 x 60 x 16.2 cm

Weight: 17 lbs / 7.7 kg

Load capacity: 1102 lbs / 500 kg

Material: Polypropylene (PP)

Temp range: -4 °F to +120 °F / -20 °C to +50 °C



Nestable



Pop-Ups



Rims



Grips



Light Weight



Color Choice



Recyclable



Anti-slide Rubber

Retail Ready Packaging

The **ultimate** in cost savings

www.polymerlogistics.com

* Polymer Logistics reserves the right to change any of the abovementioned specifications without prior notice

User Responsibility:

It is the responsibility of all users and hires to inform any other users concerning the details provided on this specifications sheet and the Polymer Logistics Health & Safety Guidelines. Users are responsible for completing Safe System Work and risk assessments prior to equipment use.