



Polymer
Logistics



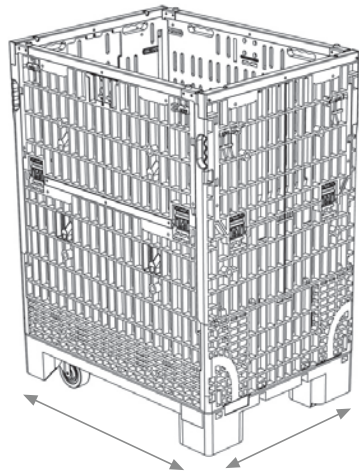
Shipper

Minimizes replenishment cost, Maximaizes in store availability

- A revolutionary 'one-touch' bin that functions as BOTH transport storage and as an attractive in-store display!
- specially designed mounts for promotional signage surrounds unit walls
- Robust construction ensures products are well protected.
- Uniquely designed to replace traditional shelving, eliminating both time & cost of merchandizing shelves.
- Completely foldable, nestable and stackable to maximize truck and storage space.
- Integrated shelf for easy pick and display of soft or fragile products.
- Available with your own labeling and desired color



Technical details:



80 cm / 31 1/2" 60 cm / 23 5/8"

Dimensions (LxWxH) -

External: 31 1/2" x 23 5/8" x 42" / 80 x 60 x 107 cm

Internal: 29 5/8" x 21 3/4" x 35 1/2" / 75 x 55 x 90 cm

When folded: 31 1/2" x 23 5/8" x 16 7/8" / 80 x 60 x 43 cm

Weight: 82 lbs / 37 kg

Load capacity: 551 lbs / 250 kg

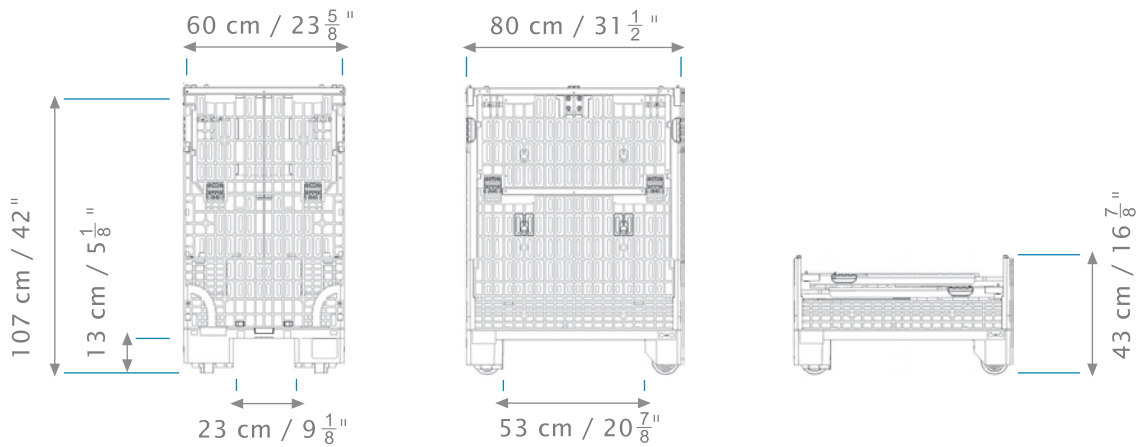
Volume: 21,969 cubic/inch / 360 liter

Material: Base - High Density Polyethylene (HDPE)

Walls - Polypropylene (PP)

Temp range: -4 °F to +120 °F / -20° c to +50° c

Available on wheels or on pallet



Anti-slide
Rubber



Foldable



Nestable



Stackable



Metal
Strengthening



Ventilation
Holes



Promotion
Posters



Color Choice



Wheel
Protector



Recyclable



Integrated
Shelf

Retail Ready Packaging

The **ultimate** in cost savings

www.polymerlogistics.com

* Polymer Logistics reserves the right to change any of the abovementioned specifications without prior notice

User Responsibility:

It is the responsibility of all users and hires to inform any other users concerning the details provided on this specifications sheet and the Polymer Logistics Health & Safety Guidelines. Users are responsible for completing Safe System Work and risk assessments prior to equipment use.