

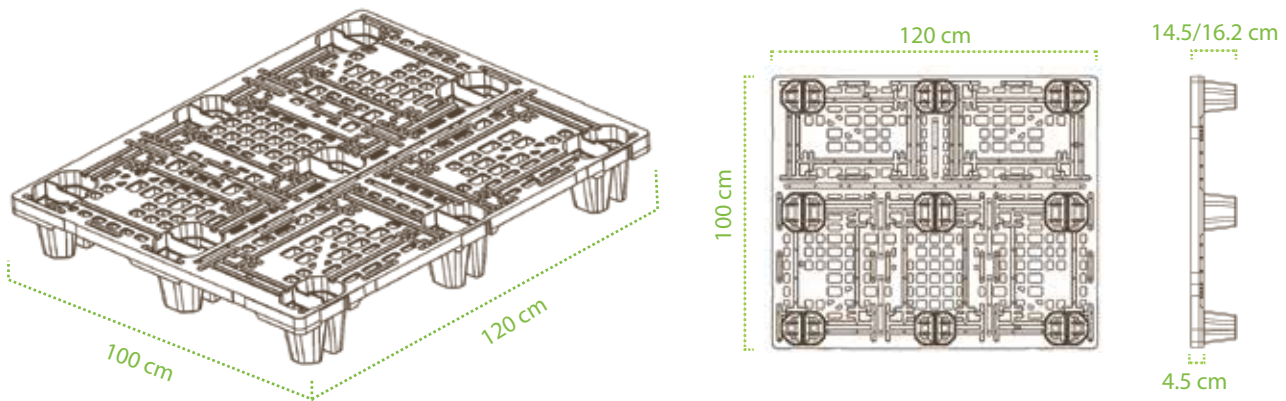
CleanPal Produce Pallet

Minimizing transport & storage cost

- 66% of transport and storage reduction due to nesting.
- Place holders for crates for better stability in warehouse and transit.
- Additional rims are optional.
- Carbon footprint reduction.
- Extra lightweight.
- Logos / Barcode slots.
- RFID ready.
- Washable, more hygienic. Can be used at the pharmaceutical industry.
- Fully recyclable.



Technical Details



Dimensions (LxWxH)

100 x 120 x 14.5/16.2 cm

Weight: 15 kg

Load capacity

Static: 2000 kg

Dynamic: 1500 kg



Retail Ready Packaging
The ultimate in cost savings